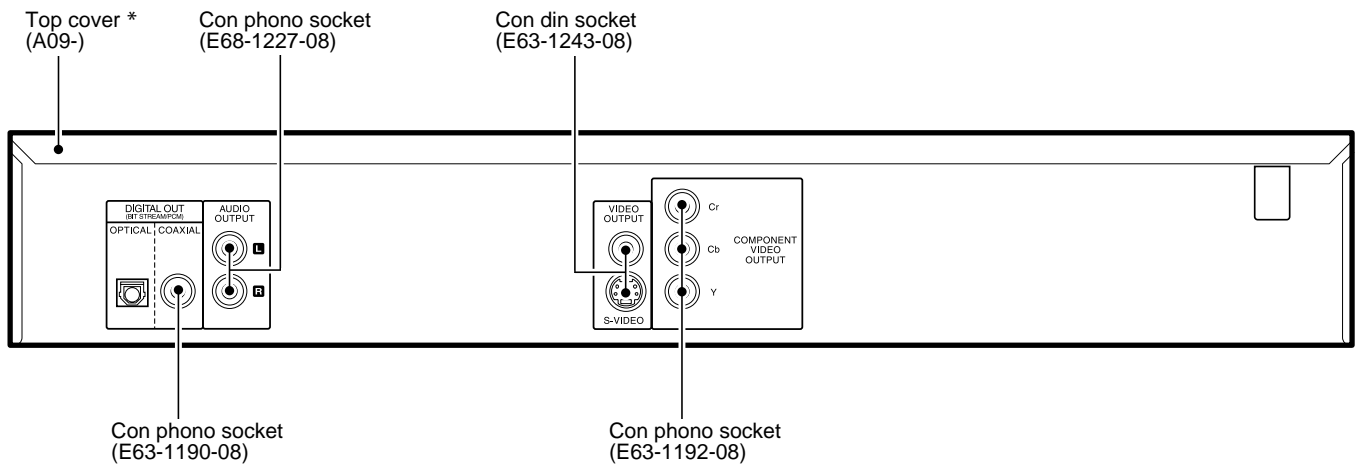
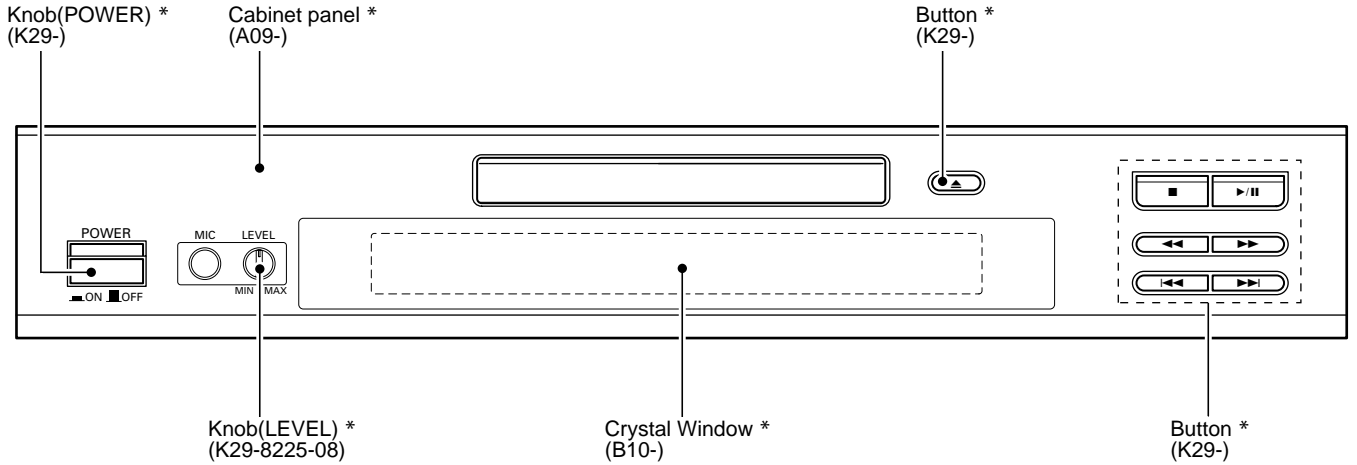


DVF-3070/3070-S

DVF-3070K-S

SERVICE MANUAL



*** Refer to parts list on page 14 .**

In compliance with Federal Regulations, following are reproduction of labels on, or inside the product relating to laser product safety.

Caution : No connection of ground line if disassemble the unit. Please connect the ground line on rear panel, PCBs, Chassis and some others.

KENWOOD Corp. certifies this equipment conforms to DHHS Regulations No.21 CFR 1040. 10, Chapter 1, subchapter J.

DANGER : Laser radiation when open and interlock defeated. AVOID DIRECT EXPOSURE TO BEAM.



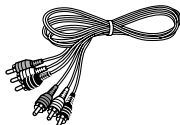
DVF-3070/3070-S/3070K-S

ACCESSORIES / CAUTIONS

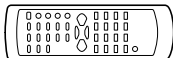
Accessories

Please confirm that the following accessories are present.

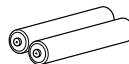
Audio video cord (Red, White, Yellow) ... (1)
(E30-2990-08)



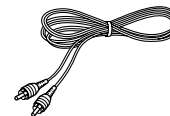
Remote control unit ... (1)
(A70-1532-08) : E, X, Y
(A70-1592-08) : M



Batteries(R6/AA) ... (2)



Coaxial cable ... (1)
(E30-7235-08)



Model vs description

MODEL	DESTINATION	COLOR
DVF-3070	E(EB)	BLACK
DVF-3070	Y(Y) X(XB)	BLACK
DVF-3070-S	E(ES) X(XS)	SILVER
DVF-3070K-S	M	SILVER

Cautions

Operation to reset

The microprocessor may fall into malfunction (impossibility to operate erroneous display, etc.) when the power cord is unplugged while power is ON or due to an external factor. In this case, switch off the power, wait for several seconds, and then switch the power on again. Return to the factory defaults by resetting the microprocessor is done as shown as follows.

- ① Press the **MENU** key on the remote to enter **SETUP MENU**.
- ② Select the **PREFERENCE**, then press the **ENTER** key.
- ③ Select **DEFAULTS**, press the Cursor right (▶) key to select **RESET**.
- ④ Press the numeric keys as shown below.
Press **[7], [2], [9], [7]**, then press the **ENTER** key.
When resetting is done according to this method, all settings, including the settings for password and parental level, will be reset to the factory defaults.

Note related to transportation and movement

Before transporting or moving this unit, carry out the following operations.

1. Set the **POWER ON/OFF** switch to the **ON** without loading a disc.
2. Wait a few seconds and verify that the display shown appears.

NO DISC

3. Set the **POWER ON/OFF** switch to **OFF**.

Caution on condensation

Condensation (of dew) may occur inside the unit when there is a great difference in temperature between this unit and the outside. This unit may not function properly if condensation occurs. In this case, leave the unit for a few hours and restart the operation after the condensation has dried up.

Be specially cautious against condensation in the following circumstances:

When this unit is carried from one place to another across a large difference in temperature, when the humidity in the room where this unit is installed increases, etc.

Manufactured under license from Dolby Laboratories. "Dolby" and the double-D symbol are trademarks of Dolby Laboratories.

"DTS" and "DTS Digital Out" are trademarks of Digital Theater Systems, Inc.



The marking of products using lasers (For countries other than U.S.A. and U.S.-Military)

CLASS 1
LASER PRODUCT

The marking this product has been classified as Class 1. It means that there is no danger of hazardous radiation outside the product.

Location: Back panel

CAUTION

VISIBLE AND INVISIBLE LASER RADIATION
WHEN OPEN. DO NOT STARE INTO THE BEAM OR
VIEW DIRECTLY WITH OPTICAL INSTRUMENTS.

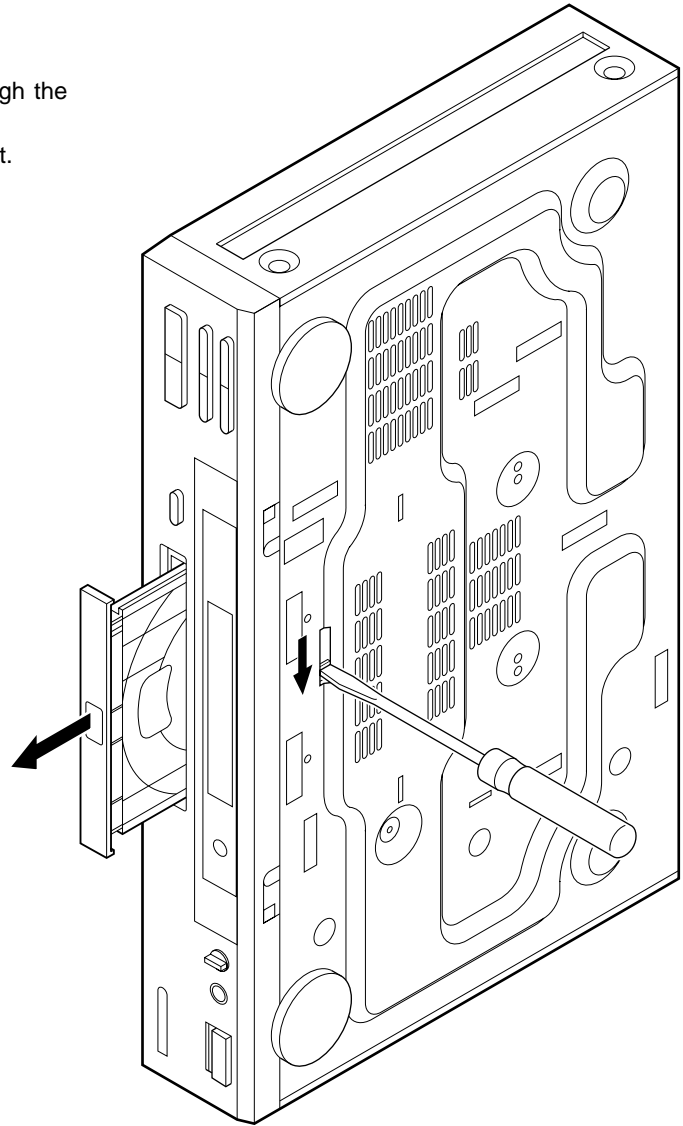
DO NOT PRESS ON THIS SURFACE

Inside this laser product, a laser diode classified as Class 2 laser radiation is contained as alerted by the internal caution label shown above. Do not stare into beam or view directly with optical instruments.
Location: DVD laser pick-up unit cover inside this product

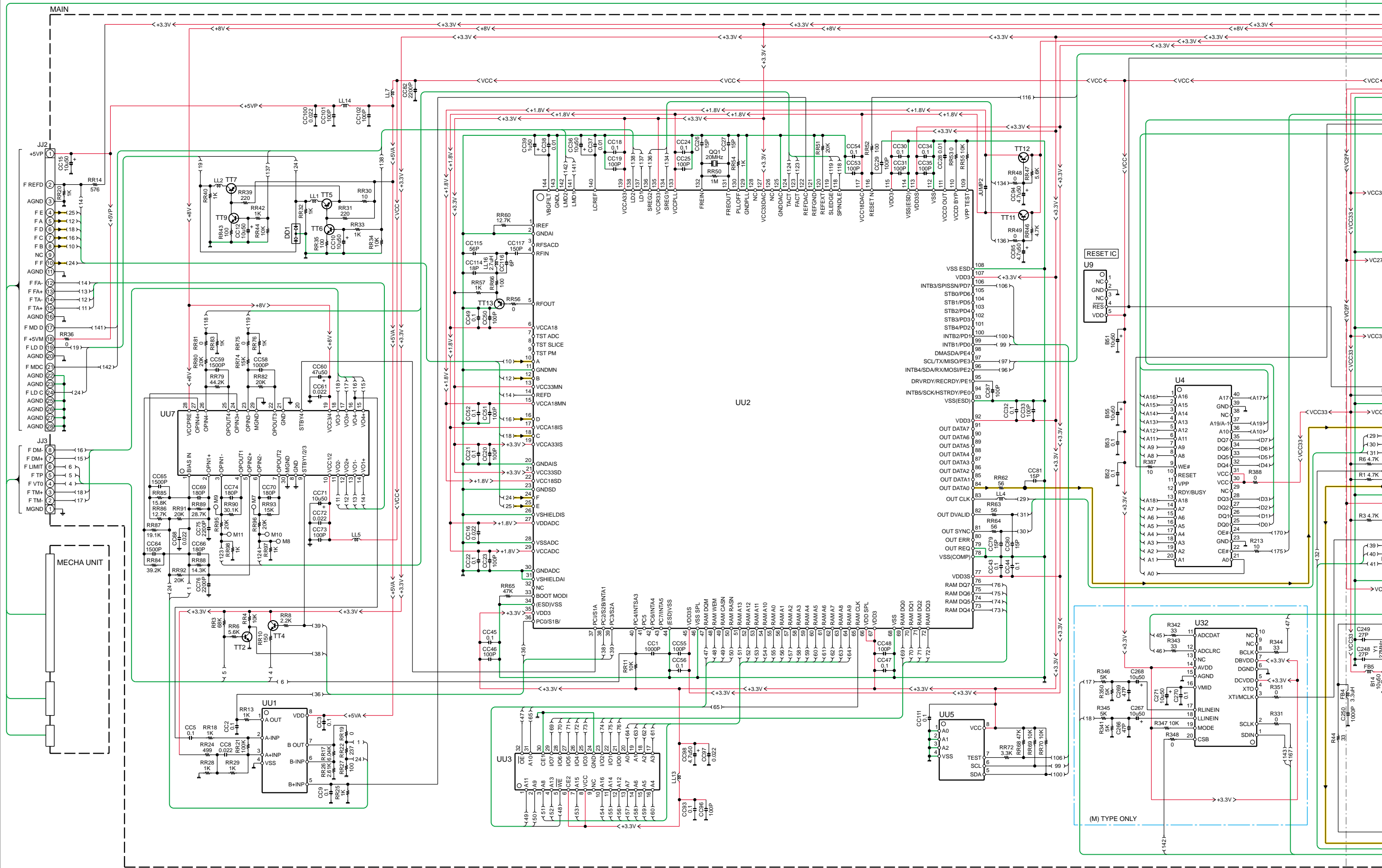
DISASSEMBLY FOR REPAIR

How to open the tray if it does not come out.

1. Insert a flat driver and pull it down in the drawing through the hole on the loading chassis bottom.
2. Pull out the tray frontward by hand when it comes just out.



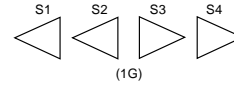
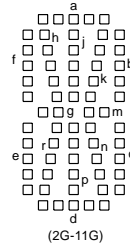
DVF-3070/3070-S/3070K-S



The DC voltage is an actual reading measured with a high impedance type voltmeter with no signal input. The measurement value may vary depending on the measuring instruments used or on the product.

DVF-3070/3070-S/3070K-S

	12G	11G	10G	9G	8G	7G	6G	5G	4G	3G	2G	1G
P1	▶	GROUP	TITLE	—	CHAP	TRACK	HOUR	—	MIN	—	SEC	RESUME
P2	⏏	a	a	a	a	a	a	a	a	a	a	S1
P3	🔒	h	h	h	h	h	h	h	h	h	h	S2
P4	RANDOM	j	j	j	j	j	j	j	j	j	j	S3
P5	REPEAT	k	k	k	k	k	k	k	k	k	k	S4
P6	1	b	b	b	b	b	b	b	b	b	b	INTRO
P7	ALL	f	f	f	f	f	f	f	f	f	f	PROG.
P8	A-	m	m	m	m	m	m	m	m	m	m	PBC
P9	B	g	g	g	g	g	g	g	g	g	g	AUDIO
P10	—	n	n	n	n	n	n	n	n	n	n	[DVD]
P11	—	p	p	p	p	p	p	p	p	p	p	[VCD]
P12	—	r	r	r	r	r	r	r	r	r	r	VIDEO
P13	—	c	c	c	c	c	c	c	c	c	c	[CD]
P14	—	e	e	e	e	e	e	e	e	e	e	[MP3]
P15	—	d	d	d	d	d	d	d	d	d	d	—
P15	—	—	DP	—	—	DP	COL	—	COL	—	—	—



←+B← +B LINE
←-B← -B LINE

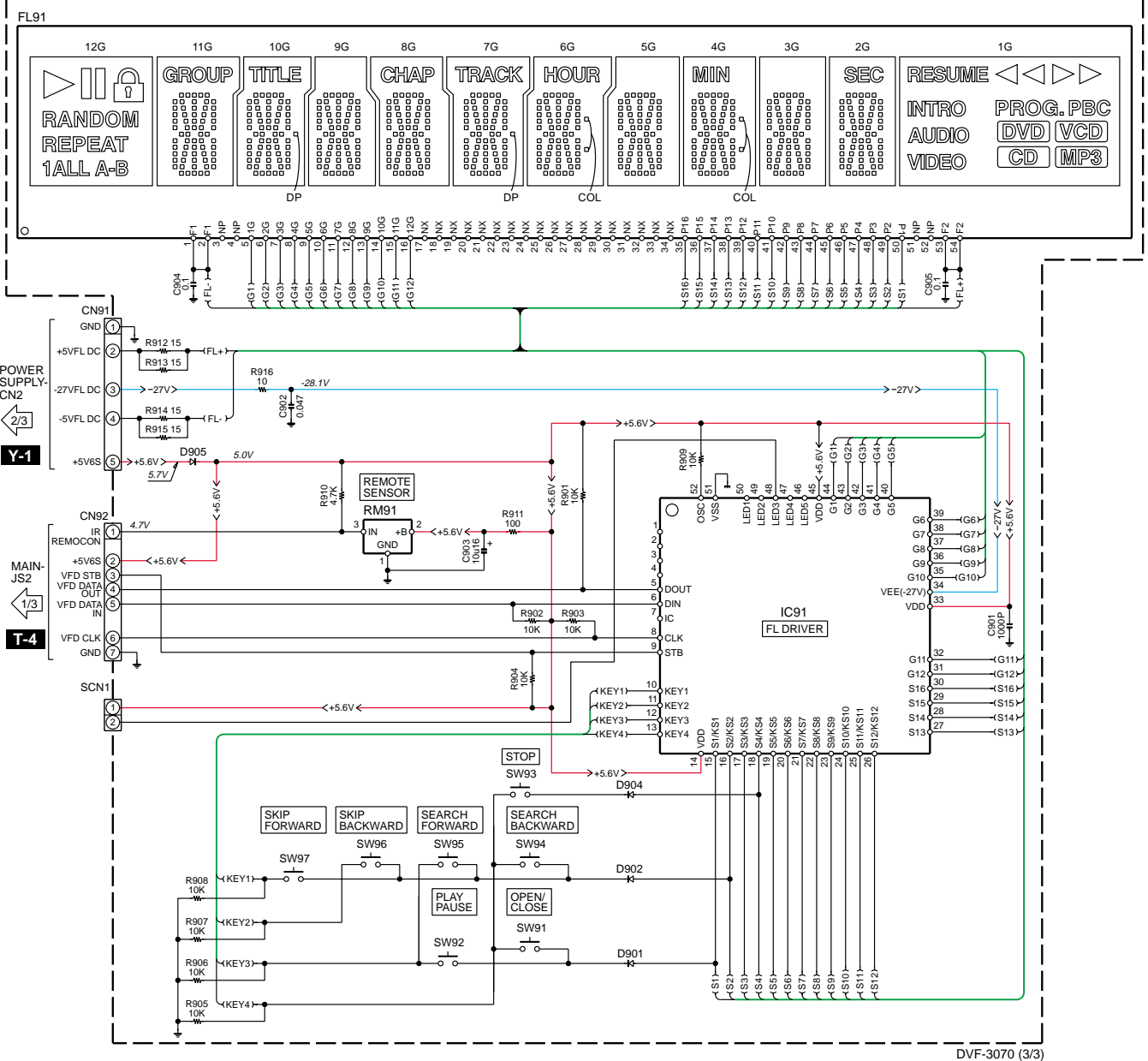
IC91 : UPD16311GC-AB6

RM91 : NJL63H380A

D901,902,904 : 1N4148

D905 : 1N4004

FRONT



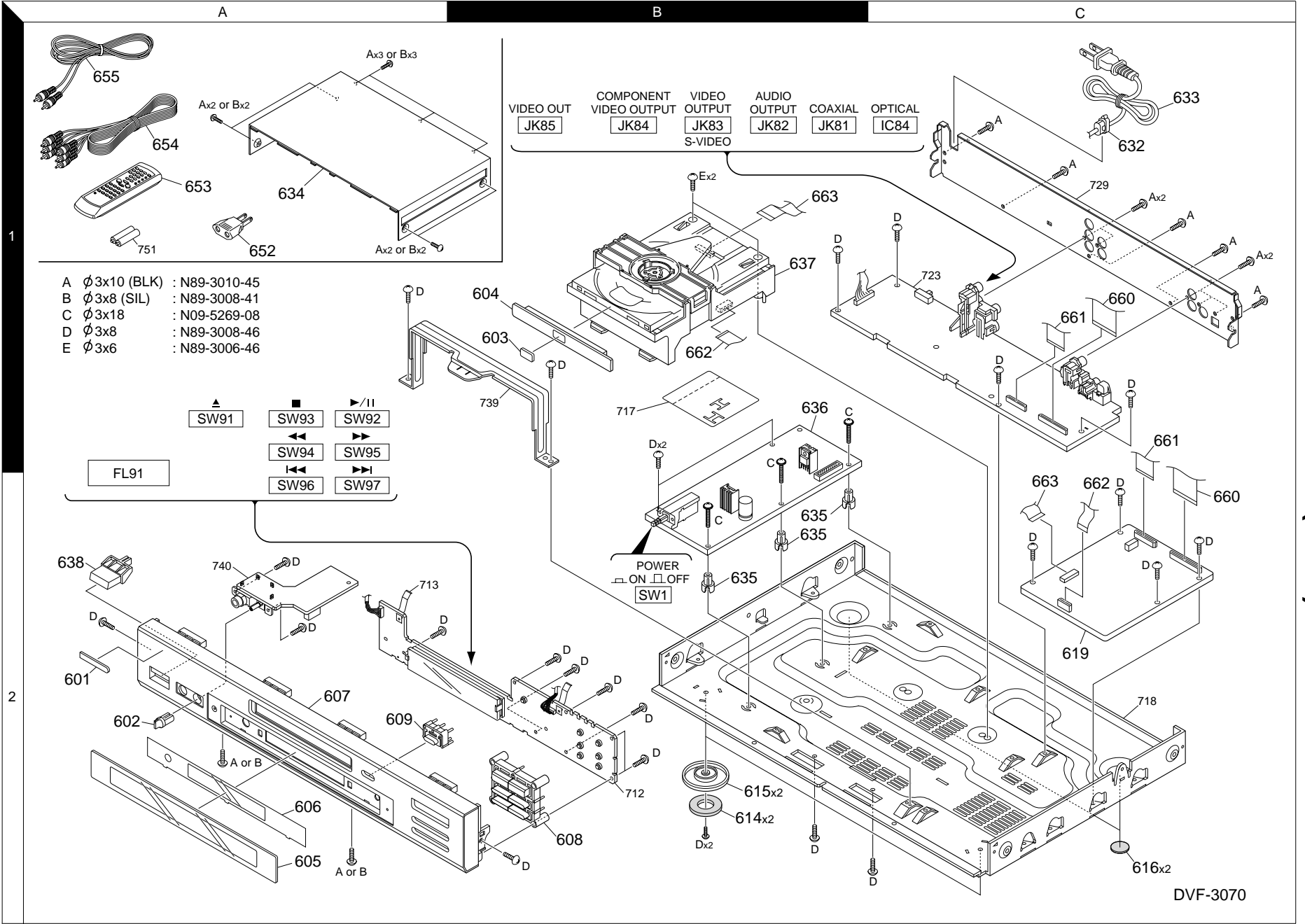
DVF-3070 (3/3)

CAUTION: For continued safety, replace safety critical components only with manufacturer's recommended parts (refer to parts list). ⚠ indicates safety critical components. For continued protection against risk of fire, replace only with same type and rating fuse(s). To reduce the risk of electric shock, leakage-current or resistance measurements shall be carried out (exposed parts are acceptably insulated from the supply circuit) before the appliance is returned to the customer.

The DC voltage is an actual reading measured with a high impedance type voltmeter with no signal input. The measurement value may vary depending on the measuring instruments used or on the product.

DVF-3070/3070-S/3070K-S

EXPLODED (UNIT)



* New Parts

Parts without **Parts No.** are not supplied.
Les articles non mentionnés dans le **Parts No.** ne sont pas fournis.
Teile ohne **Parts No.** werden nicht geliefert.

①

Ref. No	Address	New Parts	Parts No.	Description	Destination	Remarks
DVF-3070/3070-S/3070K-S						
-		*	-	AC BOOK IN(EN) 55711860	M	
-		*	B60-5357-08	AC BOOK IN(EN) 55687580	EBXSES	
-		*	B60-5357-08	AC BOOK IN(EN) 55687580	XBYM	
-		*	B60-5358-08	AC BOOK IN(5L) 55687590	EBES	
601	2A	*	B43-0302-04	AC CPL PLATE L 55220500		
602	2A		K29-8225-08	AC DEC KNOB LE 55304220	M	
603	1B		B43-0333-08	AC DEC PLATE L 55266270		
604	1B	*	A29-1226-08	AC DEC DOOR TR 55761280	EBXBY	
604	1B	*	A29-1227-08	AC DEC DOOR TR 55761290	XSESJM	
605	2A	*	B10-3988-08	AC DEC CRYSTAL 55755230	EBXB	
605	2A	*	B10-3989-08	AC DEC CRYSTAL 55755520	XSES	
605	2A	*	B10-3991-08	AC DEC CRYSTAL 55757330	Y	
606	2A		B11-1560-08	AC DEC CRYSTAL 55266220		
607	2A	*	A09-1291-08	AC DEC CABINET 55680000	EBXBY	
607	2A	*	A09-1292-08	AC DEC CABINET 55712910	M	
607	2A	*	A09-1293-08	AC DEC CABINET 55716010	XSESJ	
608	2B		K29-8221-08	AC DEC BUTTON 55266210	EBXBY	
608	2B		K29-8222-08	AC DEC BUTTON 55269510	XSESJM	
609	2A		K29-8218-08	AC DEC BUTTON 55266190	EBXBY	
609	2A		K29-8219-08	AC DEC BUTTON 55269420	XSESJM	
614	2B		G11-2897-08	AC FOOT RUBBER 55266280		
615	2B		J02-1549-08	HOTSTAMPING FO 55266310		
616	2C		G11-2896-08	AC FOOT RUBBER 55266290		
619	2C	*	W02-4510-08	MAIN PCB ASSY 55764020	XBXS	
619	2C	*	W02-4511-08	MAIN PCB ASSY 55764030	M	
619	2C	*	W02-4513-08	MAIN PCB ASSY 55764060	Y	
619	2C	*	W02-4514-08	MAIN PCB ASSY 55742390	ESEB	
△	632	1C	J42-0350-08	AC MLD CLAMP A 55125180		
△	633	1C	E30-7250-08	WIRE-MCRDM 0.7 55190780	Y	
△	633	1C	E30-7251-08	WIRE-MCRDM 0.7 55190790	EBESM	
△	633	1C	E30-7253-08	WIRE-MCRDM 0.7 55190820	XSXB	
△	634	1A	A09-1269-08	AC PUN COVER T 55266340	EBXBY	
△	634	1A	A09-1270-08	AC PUN COVER T 55269550	XSESJM	
△	635	2B	J19-6378-08	AC MLD BRACKET 5516498A		
△	636	1B	W02-4509-08	AD ASY SMPS MO 55758930		
637	1B	*	D40-1824-08	OK KIT TD 1D/T 10779930		
638	2A		K29-8226-08	AC DEC KNOB PO 55269480	XSESJM	
638	2A	*	K29-8329-08	AC DEC KNOB PO 55530810	EBXBY	
△	652	1A	E03-0115-05	CON ADPTR PLUG 55236070	M	
653	1A		A70-1532-08	EPR RCT REMOTE 55235390	EBXSES	
653	1A		A70-1532-08	EPR RCT REMOTE 55235390	JXBY	
653	1A		A70-1592-08	EPR RCT REMOCO 55330330	M	
654	1A		E30-2990-08	WIRE-CABSP AUD 55176530		
655	1A		E30-7235-08	WIRE-CABSP AUD 55186190		
660	1C,2C	*	E35-3581-08	FFC-JUMPER 17X 55455560		
661	1C		E35-3383-08	FFC-JUMPER 19X 55318530		
662	1B,2C	*	E35-3582-08	FFC-JUMPER 8X 55459790		
663	1B,2C	*	E35-3585-08	FFC-JUMPER 24X 55402640		
C			N09-5269-08	SCREW-ST 3MM 1 55127290		
OUTPUT						
C1			CK73GB1H104K	CHIP C 0.10UF	K	E
C2			CE04LW1H470M	ELECTRO 47UF	50WV	
C3			CK73GB1H104K	CHIP C 0.10UF	K	

L : Scandinavia K : USA P : Canada R : Mexico C : China I : Malaysia
Y : PX(Far East,Hawaii) T : England E : Europe G : Germany V : China(Shanghai)
Y : AAFES(Europe) X : Australia Q : Russia H : Korea M : Other Areas △ indicates safety critical components .

* New Parts

Parts without **Parts No.** are not supplied.
Les articles non mentionnés dans le **Parts No.** ne sont pas fournis.
Teile ohne **Parts No.** werden nicht geliefert.

②

Ref. No	Address	New Parts	Parts No.	Description	Destination	Remarks
C4 -7			CE04LW1H100M	ELECTRO 10UF	50WV	
C8 -11			CE04LW1H471M	ELECTRO 470UF	50WV	
C12 -15			CC73GCH1H220J	CHIP C 22PF	J	
C16			CE04LW1H100M	ELECTRO 10UF	50WV	
C17			CE04LW1H471M	ELECTRO 470UF	50WV	
C18			CC73GCH1H220J	CHIP C 22PF	J	
C19			CE04LW1H100M	ELECTRO 10UF	50WV	
C20			CE04LW1H471M	ELECTRO 470UF	50WV	
C21			CC73GCH1H220J	CHIP C 22PF	J	
C31			CE04LW1H471M	ELECTRO 470UF	50WV	
C32			CC73GCH1H220J	CHIP C 22PF	J	
C33			CE04LW1H100M	ELECTRO 10UF	50WV	
C169			CE04LW1H101M	ELECTRO 100UF	50WV	
C173			CK73GB1H104K	CHIP C 0.10UF	K	
C175			CE04LW1H471M	ELECTRO 470UF	50WV	
C184			CC73GCH1H121J	CHIP C 120PF	J	
C185			CK73GB1H122K	CHIP C 1200PF	K	
C188			CC73GCH1H121J	CHIP C 120PF	J	
C190			CC73GCH1H121J	CHIP C 120PF	J	
C191			CK73GB1H104K	CHIP C 0.10UF	K	
C213			CE04LW1H101M	ELECTRO 100UF	50WV	
C216			CC73GCH1H220J	CHIP C 22PF	J	
C219			CE04LW1H101M	ELECTRO 100UF	50WV	
C223			CC73GCH1H220J	CHIP C 22PF	J	
C226			CE04LW1H221M	ELECTRO 220UF	50WV	
C227			CE04LW1H470M	ELECTRO 47UF	50WV	
C258,259			CE04LW1H100M	ELECTRO 10UF	50WV	
C713,714			CE04LW1H100M	ELECTRO 10UF	50WV	
C716-718			CC73GCH1H101J	CHIP C 100PF	J	
C801			CK73GB1H102K	CHIP C 1000PF	K	
C802			CE04LW1A101M	ELECTRO 100UF	10WV	
C803			CK73GB1H103K	CHIP C 0.010UF	K	
C804			CC73GCH1H101J	CHIP C 100PF	J	
C805			CE04LW1C470M	ELECTRO 47UF	16WV	
C806			CC73GCH1H561J	CHIP C 560PF	J	
C807			CE04LW1C100M	ELECTRO 10UF	16WV	
C808			CC73GCH1H561J	CHIP C 560PF	J	
C809			CE04LW1C100M	ELECTRO 10UF	16WV	
C810			CC73GCH1H561J	CHIP C 560PF	J	
C820			CE04LW1H010M	ELECTRO 1.0UF	50WV	
C823,824			CC73GCH1H100J	CHIP C 10PF	J	
C826			CC73GCH1H100J	CHIP C 10PF	J	
C828			CC73GCH1H100J	CHIP C 10PF	J	
C836			CE04LW1H010M	ELECTRO 1.0UF	50WV	
C873			CC73GCH1H100J	CHIP C 10PF	J	
R820			CK73GB1H104K	CHIP C 0.10UF	K	
CN81		*	E35-3579-08	WIRECONASY UNI	55317960	
CP81		*	E41-0987-08	CONN 1.25MM 17	55455860	
CP82			E40-8985-08	CONN 1.25MM 19	55124600	
JK71			E40-8779-08	CON SCART DUAL	55176340	
JK81			E63-1190-08	CON COAX	55175240	
JK82			E63-1227-08	CON PHONO SCKT	55175260	
JK83			E63-1243-08	CON DIN SCKT M	55149520	
JK84			E63-1192-08	CON PHONO SCKT	55149420	

L : Scandinavia K : USA P : Canada R : Mexico C : China I : Malaysia
Y : PX(Far East,Hawaii) T : England E : Europe G : Germany V : China(Shanghai)
Y : AAFES(Europe) X : Australia Q : Russia H : Korea M : Other Areas △ indicates safety critical components .

PARST LIST

DVF-3070/3070-S/3070K-S

* New Parts
 Parts without **Parts No.** are not supplied.
 Les articles non mentionnés dans le **Parts No.** ne sont pas fournis.
 Teile ohne **Parts No.** werden nicht geliefert.

3

Ref. No	Add-ress	New Parts	Parts No.	Description	Desti-nation	Re-marks
JK85			S62-0115-08	SWISLIDE HORIZ 55397390	JY	
L801-805 L812,813 R869-871			L32-1047-08 L32-1047-08 L32-1047-08	FBEAD SURFACE 55126670 FBEAD SURFACE 55126670 FBEAD SURFACE 55126670	XJY	
J801 R1 ,2 R3 R4 R5			RK73GB1J000J RK73GB1J101J RK73GB1J102J RK73GB1J180J RK73GB1J102J	CHIP R 0 CHIP R 100 CHIP R 1.0K CHIP R 18 CHIP R 1.0K	J J J J J	1/16W 1/16W 1/16W 1/16W 1/16W
R6 R7 R8 R9 ,10 R11			RK73GB1J472J RK73GB1J102J RK73GB1J821J RK73GB1J101J RK73GB1J123J	CHIP R 4.7K CHIP R 1.0K CHIP R 820 CHIP R 100 CHIP R 12K	J J J J J	1/16W 1/16W 1/16W 1/16W 1/16W
R12 R13 R14 R15 R16			RK73GB1J683J RK73GB1J101J RK73GB1J123J RK73GB1J683J RK73GB1J101J	CHIP R 68K CHIP R 100 CHIP R 12K CHIP R 68K CHIP R 100	J J J J J	1/16W 1/16W 1/16W 1/16W 1/16W
R17 R18 R19 R20 R21			RK73GB1J123J RK73GB1J683J RK73GB1J101J RK73GB1J113J RK73GB1J222J	CHIP R 12K CHIP R 68K CHIP R 100 CHIP R 11K CHIP R 2.2K	J J J J J	1/16W 1/16W 1/16W 1/16W 1/16W
R22 R23 R24 R25 R26			RK73GB1J223J RK73GB1J123J RK73GB1J113J RK73GB1J683J RK73GB1J101J	CHIP R 22K CHIP R 12K CHIP R 11K CHIP R 68K CHIP R 100	J J J J J	1/16W 1/16W 1/16W 1/16W 1/16W
R27 R28 R29 R30 -33 R34 -36			RK73GB1J222J RK73GB1J223J RK73GB1J471J RK73GB1J680J RK73GB1J223J	CHIP R 2.2K CHIP R 22K CHIP R 470 CHIP R 68 CHIP R 22K	J J J J J	1/16W 1/16W 1/16W 1/16W 1/16W
R37 R38 R39 R40 R41			RK73GB1J223J RK73GB1J472J RK73GB1J101J RK73GB1J123J RK73GB1J683J	CHIP R 22K CHIP R 4.7K CHIP R 100 CHIP R 12K CHIP R 68K	J J J J J	1/16W 1/16W 1/16W 1/16W 1/16W
R42 R43 R44 R45 R46			RK73GB1J101J RK73GB1J680J RK73GB1J223J RK73GB1J101J RK73GB1J123J	CHIP R 100 CHIP R 68 CHIP R 22K CHIP R 100 CHIP R 12K	J J J J J	1/16W 1/16W 1/16W 1/16W 1/16W
R47 R48 R49 R50 R51 -53			RK73GB1J683J RK73GB1J101J RK73GB1J680J RK73GB1J223J RK73GB1J472J	CHIP R 68K CHIP R 100 CHIP R 68 CHIP R 22K CHIP R 4.7K	J J J J J	1/16W 1/16W 1/16W 1/16W 1/16W
R54 R67 R68 R69 R70			RK73GB1J472J RK73GB1J101J RK73GB1J223J RK73GB1J680J RK73GB1J683J	CHIP R 4.7K CHIP R 100 CHIP R 22K CHIP R 68 CHIP R 68K	J J J J J	1/16W 1/16W 1/16W 1/16W 1/16W

L : Scandinavia K : USA P : Canada R : Mexico C : China I : Malaysia
 Y : PX(Far East,Hawaii) T : England E : Europe G : Germany V : China(Shanghai)
 Y : AAFES(Europe) X : Australia Q : Russia H : Korea M : Other Areas Δ indicates safety critical components .

* New Parts
 Parts without **Parts No.** are not supplied.
 Les articles non mentionnés dans le **Parts No.** ne sont pas fournis.
 Teile ohne **Parts No.** werden nicht geliefert.

4

Ref. No	Add-ress	New Parts	Parts No.	Description	Desti-nation	Re-marks
R71 R72 R73 R149 R152			RK73GB1J123J RK73GB1J101J RK73GB1J472J RK73GB1J104J RK73GB1J471J	CHIP R 12K CHIP R 100 CHIP R 4.7K CHIP R 100K CHIP R 470	J J J J J	1/16W 1/16W 1/16W 1/16W 1/16W
R156 R159 R162 R165 R167			RK73GB1J471J RK73GB1J104J RK73GB1J471J RK73GB1J104J RK73GB1J222J	CHIP R 470 CHIP R 100K CHIP R 470 CHIP R 100K CHIP R 2.2K	J J J J J	1/16W 1/16W 1/16W 1/16W 1/16W
R170,171 R174 R176 R704 R714,715			RK73GB1J102J RK73GB1J334J RK73GB1J471J RK73GB1J000J RK73GB1J681J	CHIP R 1.0K CHIP R 330K CHIP R 470 CHIP R 0 CHIP R 680	J J J J J	1/16W 1/16W 1/16W 1/16W 1/16W
R717 R719 R721 R801 R802		*	L92-0571-08 L92-0571-08 L92-0571-08 RK73GB1J101J RK73GB1J000J	FBEAD SURFACE 55126620 FBEAD SURFACE 55126620 FBEAD SURFACE 55126620 CHIP R 100 CHIP R 0	J J J J J	1/16W 1/16W 1/16W 1/16W 1/16W
R803 R804 R805,806 R808 R809,810		*	RK73GB1J472J RK73GB1J000J RK73GB1J181J L92-0571-08 RK73GB1J000J	CHIP R 4.7K CHIP R 0 CHIP R 180 FBEAD SURFACE 55126620 CHIP R 0	J J J J J	1/16W 1/16W 1/16W 1/16W 1/16W
R812-814 R816,817 R821 R824,825 R826			RK73GB1J000J RK73GB1J000J RK73GB1J000J RK73GB1J000J RK73GB1J000J	CHIP R 0 CHIP R 0 CHIP R 0 CHIP R 0 CHIP R 0	J J J J J	1/16W 1/16W 1/16W 1/16W 1/16W
R836 R841,842 R843 R844 R845			RK73GB1J101J RK73GB1J000J RS14GB3D220J RK73GB1J000J RS14GB3D220J	CHIP R 100 CHIP R 0 FL-PROOF RS 22 CHIP R 0 FL-PROOF RS 22	J J J J J	1/16W 1/16W 2W 1/16W 2W
R866 R868 R890,891 R896			RK73GB1J000J RK73GB1J101J RK73GB1J000J RK73GB1J000J	CHIP R 0 CHIP R 100 CHIP R 0 CHIP R 0	J J J J	1/16W 1/16W 1/16W 1/16W
D5 -D7 IC81 IC84 IC85 Q1 ,2			LL4148 WM8728 GP1F32T KIA7805API 2N3904	D-SLP LL4148 7 16012450 IC-CONV WM8728 55291470 D-LEM GP1F32T 55164740 IC(VOLTAGE REGULATOR)60 TR-SLPLF MMBT3 20723270	J J J J J	1/16W 1/16W 1/16W 1/16W 1/16W
Q3 -6 Q7, -10 Q11 Q12 Q13			KTD1304 2SC4081 DTA114YK DTC114YK 2SC3327	TR-SLPSWA KTD1 55138710 TR-SLPHF 2SC40 55170530 TR-SSD DTA114Y 55133190 TR-SSD DTC114Y 55133180 TR-SLPSWA KTD1 55138710	J J J J J	1/16W 1/16W 1/16W 1/16W 1/16W
Q14 Q15 Q16 Q17 Q21			DTC114YK 2SC4081 2SC4081 2N3904 2SC4081	TR-SSD DTC114Y 55133180 TR-SLPHF 2SC40 55170530 TR-SLPHF 2SC40 55170530 TR-SLPLF MMBT3 20723270 TR-SLPHF 2SC40 55170530	J J J J J	1/16W 1/16W 1/16W 1/16W 1/16W

L : Scandinavia K : USA P : Canada R : Mexico C : China I : Malaysia
 Y : PX(Far East,Hawaii) T : England E : Europe G : Germany V : China(Shanghai)
 Y : AAFES(Europe) X : Australia Q : Russia H : Korea M : Other Areas Δ indicates safety critical components .

* New Parts

Parts without **Parts No.** are not supplied.

Les articles non mentionnés dans le **Parts No.** ne sont pas fournis.

Teile ohne **Parts No.** werden nicht geliefert.

5

Ref. No	Add-ress	New Parts	Parts No.	Description	Desti-nation	Re-marks
Q22			2SC3327	TR-SLPSWA KTD1	55138710	
Q23			DTC114YK	TR-SSD DTC114Y	55133180	
Q24			DTA114YK	TR-SSD DTA114Y	55133190	
Q25 ,26		*	8550	TR 8550		
Q27			2N3904	TR-SLPLF MMBT3	20723270	
Q801		*	KTC3875	TR-SLPSWA KTC3	20970460	
Q802			KTA1504S	TR-SLPSWA KTA1	20970480	
U23			KIA4558F	IC-OPERAMP KIA	20920060	
FRONT						
FL91			HNV-12SM20	DISPLAY HNV-12	55291380	
C901			CK73GB1H102K	CHIP C	1000PF	K
C902			CK73GB1H473K	CHIP C	0.047UF	K
C903			CE04LW1C100M	ELECTRO	10UF	16WV
C904,905			CK73GB1H104Z	CHIP C	0.10UF	Z
R901-909			RK73GB1J103J	CHIP R	10K	J 1/16W
R910			RK73GB1J472J	CHIP R	4.7K	J 1/16W
R911			RK73GB1J101J	CHIP R	100	J 1/16W
W001,002			RK73GB1J000J	CHIP R	0	J 1/16W
SW91-97			S70-0087-08	SWITACT VERTIC	55145270	
D901,902			1N4148	D-SLP 1N4148 1	70436540	
D904			1N4148	D-SLP 1N4148 1	70436540	
D905			1N4004	D-SR 1N4004 40	20415060	
IC91		*	UPD16311GC-AB6	IC-DISPLAY UPD	20920150	
RM91			NJL63H380A	IC-REMOTE NJL6	55156010	
MAIN						
B1 -3			CE04LW1H221M	ELECTRO	220UF	50WV
B6 -9			CK73GB1C104Z	CHIP C	0.10UF	Z
B10			CE04LW1H100M	ELECTRO	10UF	50WV
B11			CK73GB1C104Z	CHIP C	0.10UF	Z
B12			CE04LW1H100M	ELECTRO	10UF	50WV
B13			CK73GB1C104Z	CHIP C	0.10UF	Z
B14			CE04LW1H100M	ELECTRO	10UF	50WV
B15 -20			CK73GB1C104Z	CHIP C	0.10UF	Z
B22 -30			CK73GB1C104Z	CHIP C	0.10UF	Z
B31 -33			CE04LW1H100M	ELECTRO	10UF	50WV
B34 -38			CK73GB1C104Z	CHIP C	0.10UF	Z
B39			CE04LW1H221M	ELECTRO	220UF	50WV
B40			CE04LW1H100M	ELECTRO	10UF	50WV
B41			CK73GB1C104Z	CHIP C	0.10UF	Z
B43			CK73GB1C104Z	CHIP C	0.10UF	Z
B45			CK73GB1C104Z	CHIP C	0.10UF	Z
B51			CE04LW1H100M	ELECTRO	10UF	50WV
B52 ,53			CK73GB1C104Z	CHIP C	0.10UF	Z
B59 -61			CK73GB1C104Z	CHIP C	0.10UF	Z
B67			CK73GB1C104Z	CHIP C	0.10UF	Z
C4			CK73GB1H105Z	CHIP C	1.0UF	Z
C196,197			CK73GB1H471K	CHIP C	470PF	K
C205,206			CK73GB1H471K	CHIP C	470PF	K
C209,210			CK73GB1H471K	CHIP C	470PF	K
C246,247			CK73GB1C104Z	CHIP C	0.10UF	Z
C250			CK73GB1H102K	CHIP C	1000PF	K
C251,252			CK73GB1H471K	CHIP C	470PF	K

L : Scandinavia K : USA P : Canada R : Mexico C : China I : Malaysia
 Y : PX(Far East,Hawaii) T : England E : Europe G : Germany V : China(Shanghai)
 Y : AAFES(Europe) X : Australia Q : Russia H : Korea M : Other Areas Δ indicates safety critical components .

* New Parts

Parts without **Parts No.** are not supplied.

Les articles non mentionnés dans le **Parts No.** ne sont pas fournis.

Teile ohne **Parts No.** werden nicht geliefert.

6

Ref. No	Add-ress	New Parts	Parts No.	Description	Desti-nation	Re-marks
CC1			CK73GB1H102K	CHIP C	1000PF	K
CC2 ,3			CK73GB1C104Z	CHIP C	0.10UF	Z
CC5			CK73GB1C104Z	CHIP C	0.10UF	Z
CC8			CK73GB1E223K	CHIP C	0.022UF	K
CC9			CK73GB1C104Z	CHIP C	0.10UF	Z
CC10			CE04LW1H100M	ELECTRO	10UF	50WV
CC12			CE04LW1H100M	ELECTRO	10UF	50WV
CC15			CE04LW1H100M	ELECTRO	10UF	50WV
CC16			CK73GB1E223K	CHIP C	0.022UF	K
CC18			CK73GB1C104Z	CHIP C	0.10UF	Z
CC19,20			CC73GCH1H101J	CHIP C	100PF	J
CC21,22			CK73GB1C104Z	CHIP C	0.10UF	Z
CC23			CC73GCH1H101J	CHIP C	100PF	J
CC24			CK73GB1C104Z	CHIP C	0.10UF	Z
CC25			CC73GCH1H101J	CHIP C	100PF	J
CC26,27			CC73GCH1H150J	CHIP C	15PF	J
CC28			CK73GB1H103K	CHIP C	0.010UF	K
CC29			CC73GCH1H101J	CHIP C	100PF	J
CC30			CK73GB1C104Z	CHIP C	0.10UF	Z
CC31			CC73GCH1H101J	CHIP C	100PF	J
CC32			CK73GB1C104Z	CHIP C	0.10UF	Z
CC33			CC73GCH1H101J	CHIP C	100PF	J
CC34			CK73GB1C104Z	CHIP C	0.10UF	Z
CC35			CC73GCH1H101J	CHIP C	100PF	J
CC36			CE04LW1H100M	ELECTRO	10UF	50WV
CC37,38			CK73GB1H103K	CHIP C	0.010UF	K
CC39			CE04LW1H010M	ELECTRO	1.0UF	50WV
CC40			CE04LW1H100M	ELECTRO	10UF	50WV
CC43-45			CK73GB1C104Z	CHIP C	0.10UF	Z
CC46			CC73GCH1H101J	CHIP C	100PF	J
CC47			CK73GB1C104Z	CHIP C	0.10UF	Z
CC48			CC73GCH1H101J	CHIP C	100PF	J
CC49			CK73GB1C104Z	CHIP C	0.10UF	Z
CC50,51			CC73GCH1H101J	CHIP C	100PF	J
CC52			CK73GB1C104Z	CHIP C	0.10UF	Z
CC53			CC73GCH1H101J	CHIP C	100PF	J
CC54			CK73GB1C104Z	CHIP C	0.10UF	Z
CC55			CC73GCH1H101J	CHIP C	100PF	J
CC56			CK73GB1C104Z	CHIP C	0.10UF	Z
CC58			CK73GB1H102K	CHIP C	1000PF	K
CC59			CK73GB1H152K	CHIP C	1500PF	K
CC60			CE04LW1H470M	ELECTRO	47UF	50WV
CC61			CK73GB1E223K	CHIP C	0.022UF	K
CC64,65			CK73GB1H152K	CHIP C	1500PF	K
CC66			CC73GCH1H181J	CHIP C	180PF	J
CC68			CK73GB1E223K	CHIP C	0.022UF	K
CC69,70			CC73GCH1H181J	CHIP C	180PF	J
CC71			CE04LW1H100M	ELECTRO	10UF	50WV
CC72			CK73GB1E223K	CHIP C	0.022UF	K
CC73			CC73GCH1H101J	CHIP C	100PF	J
CC74			CC73GCH1H181J	CHIP C	180PF	J
CC75,76			CK73GB1H222K	CHIP C	2200PF	K
CC79-81			CC73GCH1H150J	CHIP C	15PF	J
CC82			CK73GB1H222K	CHIP C	2200PF	K
CC83			CK73GB1C104Z	CHIP C	0.10UF	Z

L : Scandinavia K : USA P : Canada R : Mexico C : China I : Malaysia
 Y : PX(Far East,Hawaii) T : England E : Europe G : Germany V : China(Shanghai)
 Y : AAFES(Europe) X : Australia Q : Russia H : Korea M : Other Areas Δ indicates safety critical components .

DVF-3070/3070-S/3070K-S

* New Parts

Parts without **Parts No.** are not supplied.Les articles non mentionnés dans le **Parts No.** ne sont pas fournis.Teile ohne **Parts No.** werden nicht geliefert.

7

Ref. No	Add-ress	New Parts	Parts No.	Description	Desti-nation	Re-marks
CC85			CE04LW1H4R7M	ELECTRO	4.7UF	50WV
CC86			CK73GB1H102K	CHIP C	1000PF	K
CC87-90			CC73GCH1H101J	CHIP C	100PF	J
CC91			CK73GB1H102K	CHIP C	1000PF	K
CC92			CE04LW1H470M	ELECTRO	47UF	50WV
CC93			CK73GB1C104Z	CHIP C	0.10UF	Z
CC94			CE04LW1H4R7M	ELECTRO	4.7UF	50WV
CC95			CE04LW1H100M	ELECTRO	10UF	50WV
CC96			CC73GCH1H101J	CHIP C	100PF	J
CC97			CK73GB1E223K	CHIP C	0.022UF	K
CC98			CE04LW1H4R7M	ELECTRO	4.7UF	50WV
CC99			CE04LW1H100M	ELECTRO	10UF	50WV
CC100			CK73GB1E223K	CHIP C	0.022UF	K
CC101,102			CC73GCH1H101J	CHIP C	100PF	J
CC103,104			CE04LW1H100M	ELECTRO	10UF	50WV
CC105			CK73GB1C104Z	CHIP C	0.10UF	Z
CC106			CE04LW1H470M	ELECTRO	47UF	50WV
CC107,108			CK73GB1C104Z	CHIP C	0.10UF	Z
CC109			CK73GB1H103K	CHIP C	0.010UF	K
CC110			CE04LW1H010M	ELECTRO	1.0UF	50WV
CC111			CK73GB1C104Z	CHIP C	0.10UF	Z
CC114			CC73GCH1H180J	CHIP C	18PF	J
CC115			CC73GCH1H560J	CHIP C	56PF	J
CC116			CC73GCH1H060D	CHIP C	6.0PF	D
CC117			CK73GB1H151J	CHIP C	150PF	J
JJ2		*	E41-0988-08	CONN 0.5MM 24	55009830	
JJ3		*	E41-0847-05	CON 1.25MM PIT	55451360	
JP1			E40-8985-08	CONN 1.25MM 19	55124600	
JP2		*	E41-0989-08	CONN 1.25MM 17	55455860	
FB1 ,2		*	L92-0571-08	FBEAD SURFACE	55126620	
FB4		*	L92-0570-08	LF-SMD 3U3H +5	20655340	
FB5		*	L92-0571-08	FBEAD SURFACE	55126620	
L10		*	L90-0504-08	LF-SMD 2U2H +5	20350850	
L12		*	L90-0504-08	LF-SMD 2U2H +5	20350850	
L18 ,19		*	L90-0504-08	LF-SMD 2U2H +5	20350850	
LL1 ,2		*	L92-0571-08	FBEAD SURFACE	55126620	
LL4 ,5		*	L92-0571-08	FBEAD SURFACE	55126620	
LL7-10		*	L92-0571-08	FBEAD SURFACE	55126620	
LL13		*	L92-0571-08	FBEAD SURFACE	55126620	
LL14			R92-1989-08	FBEAD SURFACE	55126660	
LL15		*	L92-0571-08	FBEAD SURFACE	55126620	
LL16			L32-1048-08	LF-SMD 2U7H +1	14041750	
QQ1		*	L77-2418-08	CRYSTAL 20MHZ	15051760	
Y1		*	L77-2360-08	CRYSTAL 27MHZ	55128980	
R1			RK73GB1J472J	CHIP R	4.7K	J 1/16W
R3			RK73GB1J472J	CHIP R	4.7K	J 1/16W
R4 ,5			RK73GB1J102J	CHIP R	1.0K	J 1/16W
R6			RK73GB1J472J	CHIP R	4.7K	J 1/16W
R7			RK73GB1J472J	CHIP R	4.7K	J 1/16W
R9			RK73GB1J330J	CHIP R	33	J 1/16W
R10			RK73GB1J472J	CHIP R	4.7K	J 1/16W
R11			RK73GB1J330J	CHIP R	33	J 1/16W
R12			RK73GB1J472J	CHIP R	4.7K	J 1/16W
R13 ,14			RK73GB1J330J	CHIP R	33	J 1/16W

L : Scandinavia K : USA P : Canada R : Mexico C : China I : Malaysia

Y : PX(Far East,Hawaii) T : England E : Europe G : Germany V : China(Shanghai)

Y : AAFES(Europe) X : Australia Q : Russia H : Korea M : Other Areas Δ indicates safety critical components.

* New Parts

Parts without **Parts No.** are not supplied.Les articles non mentionnés dans le **Parts No.** ne sont pas fournis.Teile ohne **Parts No.** werden nicht geliefert.

8

Ref. No	Add-ress	New Parts	Parts No.	Description	Desti-nation	Re-marks
R15			RK73GB1J472J	CHIP R	4.7K	J 1/16W
R18			RK73GB1J472J	CHIP R	4.7K	J 1/16W
R26			RK73GB1J472J	CHIP R	4.7K	J 1/16W
R32			RK73GB1J330J	CHIP R	33	J 1/16W
R41			RK73GB1J330J	CHIP R	33	J 1/16W
R44			RK73GB1J330J	CHIP R	33	J 1/16W
R52			RK73GB1J330J	CHIP R	33	J 1/16W
R64 -66			RK73GB1J750J	CHIP R	75	J 1/16W
R72			RK73GB1J000J	CHIP R	0	J 1/16W
R191			RK73GB1J100J	CHIP R	10	J 1/16W
R292			RK73GB1J330J	CHIP R	33	J 1/16W
R295			RK73GB1J330J	CHIP R	33	J 1/16W
R296			RK73GB1J241J	CHIP R	240	J 1/16W
R299			RK73GB1J472J	CHIP R	4.7K	J 1/16W
R304			RK73GB1J104J	CHIP R	100K	J 1/16W
R310			RK73GB1J000J	CHIP R	0	J 1/16W
R313			RK73GB1J000J	CHIP R	0	J 1/16W
R322			RK73GB1J750J	CHIP R	75	J 1/16W
R323			RK73GB1J330J	CHIP R	33	J 1/16W
R353			RK73GB1J000J	CHIP R	0	J 1/16W
R387			RK73GB1J100J	CHIP R	10	J 1/16W
R391,392			RK73GB1J330J	CHIP R	33	J 1/16W
R393-395			RK73GB1J330J	CHIP R	33	J 1/16W
RN2			-			
RN8-10			R90-0750-05			
RN11			-			
RR3			RK73GB1J683J	CHIP R	68K	J 1/16W
RR4			RK73GB1J103J	CHIP R	10K	J 1/16W
RR6			RK73GB1J562J	CHIP R	5.6K	J 1/16W
RR8			RK73GB1J222J	CHIP R	2.2K	J 1/16W
RR10			RK73GB1J151J	CHIP R	150	J 1/16W
RR11			RK73GB1J103J	CHIP R	10K	J 1/16W
RR13			RK73GB1J102J	CHIP R	1.0K	J 1/16W
RR14		*	R92-4616-08	CHIP R	576	F 1/16W
RR17		*	R92-4618-08	CHIP R	6.04K	F 1/16W
RR18			RK73GB1J102J	CHIP R	1.0K	J 1/16W
RR19			RK73GB1J000J	CHIP R	0	J 1/16W
RR20		*	R92-4605-08	CHIP R	1K	F 1/16W
RR21			RK73GB1J104J	CHIP R	100K	J 1/16W
RR22		*	R92-4602-08	CHIP R	237	F 1/16W
RR24		*	R92-4610-08	CHIP R	499	F 1/16W
RR25		*	R92-4605-08	CHIP R	1K	F 1/16W
RR26		*	R92-4617-08	CHIP R	2.61K	F 1/16W
RR27		*	R92-4611-08	CHIP R	100	F 1/16W
RR28		*	R92-4605-08	CHIP R	1K	F 1/16W
RR29			RK73GB1J102J	CHIP R	1.0K	J 1/16W
RR30			RK73GB1J100J	CHIP R	10	J 1/16W
RR31			RK73GB1J221J	CHIP R	220	J 1/16W
RR32,33			RK73GB1J102J	CHIP R	1.0K	J 1/16W
RR34			RK73GB1J103J	CHIP R	10K	J 1/16W
RR35			RK73GB1J101J	CHIP R	100	J 1/16W
RR36			RK73GB1J000J	CHIP R	0	J 1/16W
RR39			RK73GB1J221J	CHIP R	220	J 1/16W
RR40			RK73GB1J102J	CHIP R	1.0K	J 1/16W
RR42			RK73GB1J102J	CHIP R	1.0K	J 1/16W

L : Scandinavia K : USA P : Canada R : Mexico C : China I : Malaysia

Y : PX(Far East,Hawaii) T : England E : Europe G : Germany V : China(Shanghai)

Y : AAFES(Europe) X : Australia Q : Russia H : Korea M : Other Areas Δ indicates safety critical components.

* New Parts

Parts without **Parts No.** are not supplied.

Les articles non mentionnés dans le **Parts No.** ne sont pas fournis.

Teile ohne **Parts No.** werden nicht geliefert.

9

Ref. No	Add-ress	New Parts	Parts No.	Description	Desti-nation	Re-marks
RR43			RK73GB1J101J	CHIP R	100	J 1/16W
RR44			RK73GB1J103J	CHIP R	10K	J 1/16W
RR46			RK73GB1J472J	CHIP R	4.7K	J 1/16W
RR47			RK73GB1J562J	CHIP R	5.6K	J 1/16W
RR48,49			RK73GB1J000J	CHIP R	0	J 1/16W
RR50			RK73GB1J105J	CHIP R	1.0M	J 1/16W
RR51		*	R92-4607-08	CHIP R	20K	F 1/16W
RR52			RK73GB1J101J	CHIP R	100	J 1/16W
RR53			RK73GB1J000J	CHIP R	0	J 1/16W
RR54		*	R92-4605-08	CHIP R	1K	F 1/16W
RR55			RK73GB1J103J	CHIP R	10K	J 1/16W
RR56			RK73GB1J000J	CHIP R	0	J 1/16W
RR57			RK73GB1J102J	CHIP R	1.0K	J 1/16W
RR60		*	R92-4614-08	CHIP R	12.7K	F 1/16W
RR62-64			RK73GB1J560J	CHIP R	56	J 1/16W
RR65			RK73GB1J473J	CHIP R	47K	J 1/16W
RR66			RK73GB1J101J	CHIP R	100	J 1/16W
RR68			RK73GB1J473J	CHIP R	47K	J 1/16W
RR69,70			RK73GB1J103J	CHIP R	10K	J 1/16W
RR72			RK73GB1J332J	CHIP R	3.3K	J 1/16W
RR75			RK73GB1J000J	CHIP R	0	J 1/16W
RR76		*	R92-4605-08	CHIP R	1K	F 1/16W
RR79		*	R92-4612-08	CHIP R	44.2K	F 1/16W
RR80		*	R92-4607-08	CHIP R	20K	F 1/16W
RR81			RK73GB1J000J	CHIP R	0	J 1/16W
RR82		*	R92-4607-08	CHIP R	20K	F 1/16W
RR83		*	R92-4605-08	CHIP R	1K	F 1/16W
RR84		*	R92-4604-08	CHIP R	39.2K	F 1/16W
RR85		*	R92-4609-08	CHIP R	15.8K	F 1/16W
RR86		*	R92-4614-08	CHIP R	12.7K	F 1/16W
RR87		*	R92-4613-08	CHIP R	19.1K	F 1/16W
RR88		*	R92-4608-08	CHIP R	14.3K	F 1/16W
RR89		*	R92-4615-08	CHIP R	28.7K	F 1/16W
RR90		*	R92-4603-08	CHIP R	30.1K	F 1/16W
RR91,92		*	R92-4607-08	CHIP R	20K	F 1/16W
RR93		*	R92-4606-08	CHIP R	15K	F 1/16W
RR95,96		*	R92-4607-08	CHIP R	20K	F 1/16W
RR97,98		*	R92-4605-08	CHIP R	1K	F 1/16W
RR99-101			RK73GB1J153J	CHIP R	15K	J 1/16W
RR103,104			RK73GB1J101J	CHIP R	100	J 1/16W
RR105			RK73GB1J1R0J	CHIP R	1	J 1/16W
RR107,108			RK73GB1J1R0J	CHIP R	1	J 1/16W
RR114		*	R92-4601-08	CHIP R	390	F 1/16W
RR115			RK73GB1J000J	CHIP R	0	J 1/16W
RR118			RK73GB1J681J	CHIP R	680	J 1/16W
RR119			RK73GB1J471J	CHIP R	470	J 1/16W
RR120			RK73GB1J242J	CHIP R	2.4K	J 1/16W
RR121			RK73GB1J562J	CHIP R	5.6K	J 1/16W
RR122,123			RK73GB1J103J	CHIP R	10K	J 1/16W
RR124			RK73GB1J393J	CHIP R	39K	J 1/16W
RR125			RK73GB1J7R5J	CHIP R	7.5	J 1/16W
RR126			RK73GB1J103J	CHIP R	10K	J 1/16W
RR127			RK73GB1J512J	CHIP R	5.1K	J 1/16W
RR128			RK73GB1J103J	CHIP R	10K	J 1/16W
RR129			RK73GB1J683J	CHIP R	68K	J 1/16W

L: Scandinavia K: USA P: Canada R: Mexico C: China I: Malaysia
 Y: PX(Far East,Hawaii) T: England E: Europe G: Germany V: China(Shanghai)
 Y: AAFES(Europe) X: Australia Q: Russia H: Korea M: Other Areas Δ indicates safety critical components.

* New Parts

Parts without **Parts No.** are not supplied.

Les articles non mentionnés dans le **Parts No.** ne sont pas fournis.

Teile ohne **Parts No.** werden nicht geliefert.

10

Ref. No	Add-ress	New Parts	Parts No.	Description	Desti-nation	Re-marks
RR130			RK73GB1J471J	CHIP R	470	J 1/16W
RR133			RK73GB1J000J	CHIP R	0	J 1/16W
D4		*	LL4148	D-SLP LL4148 7	16012450	
D14 ,15		*	LL4148	D-SLP LL4148 7	16012450	
D18 -22		*	LL4148	D-SLP LL4148 7	16012450	
DD1			DAP202U	D-SR DAP202U 8	25428590	
DD2		*	LL4148	D-SLP LL4148 7	16012450	
DD3		*	BZX84C6V8	D-ZENER BZX84C	55477630	
DD4 ,5		*	LL4148	D-SLP LL4148 7	16012450	
Q1			KTD1304	TR-SLPSWA KTD1	55138710	
Q3		*	LT1085	IC LT1085 TO-2	-	
QQ2		*	MMBT3906LT1	TR-SLPLF MMBT3	20628200	
QQ3		*	2N3904S	TR-SLPLF 2N390	20926570	
QQ4		*	KIA7808API	IC-REGPOSFXD K	55123970	
TT2		*	BC848C	TR-SLPLF BC848	16006300	
TT4		*	BC848C	TR-SLPLF BC848	16006300	
TT5		*	2SB1119	TR-SHPSW 2SB11	20496800	
TT6		*	BC848C	TR-SLPLF BC848	16006300	
TT7		*	2SB1119	TR-SHPSW 2SB11	20496800	
TT9		*	BC848C	TR-SLPLF BC848	16006300	
TT11		*	2SC3650	TR-SLPLF 2SC36	20496770	
TT12		*	BC848C	TR-SLPLF BC848	16006300	
TT13		*	BC860C	BC860C SOT-23	-	
U1		*	ES6028F	IC-SPECFUNC ES	55644660	
U2		*	M24C01-WMN6	IC-EEPROM M24C	21090560	
U3		*	HY57V651620BTC8	IC 4Mx16 SDRAM	55156290	
U4		*	SST39VF800A-90	IC-MEMFLASH SS	55177660	
U9		*	V6300BSP5B	IC-SPECFUNCTIO	55651660-MT	
U17			BA6209N	IC(MOTOR DRIVER)	0458950	
UU1		*	LM358D	IC-OPERAMP LM3	10230050	
UU2		*	L6315ATTBTZ	IC CD L6315 AT	1074805B	
UU3		*	A62S7308BX-55S	IC A62S7308BX-	55790710	
UU5			M24C64-WMN6T	IC-EEPROM M24C	15464120	
UU7		*	BA5983FP	IC-MOTORCIR BA	55673190	

L: Scandinavia K: USA P: Canada R: Mexico C: China I: Malaysia
 Y: PX(Far East,Hawaii) T: England E: Europe G: Germany V: China(Shanghai)
 Y: AAFES(Europe) X: Australia Q: Russia H: Korea M: Other Areas Δ indicates safety critical components.

HOW TO READ THE PARTS LIST

ABBREVIATION OF MODEL AND MASS PRODUCTION'S DESTINATIONS

MODEL	ABB.	Australia	Canada	China	England	Europe	Germany	Korea	Malaysia
DVF-3070	-	X/XB	-	-	E/EB	-	-	-	-
DVF-3070-S	-	X/XS	-	-	E/ES	-	-	-	-
DVF-3070K-S	-	-	-	-	-	-	-	-	-
MODEL	ABB.	Mexico	PX/AAFES	Russia	Scandinavia	Shanghai	USA	Other area	Japan
DVF-3070	-	-	Y	-	-	-	-	-	-
DVF-3070-S	-	-	-	-	-	-	-	-	J
DVF-3070K-S	-	-	-	-	-	-	-	M	-

PARTS LIST

DVF-3070/3070-S/3070K-S

DVF-3070/3070-S/3070K-S

SPECIFICATIONS

[Type]

System DVD video player
Signal read system Semiconductor laser
Wave length For DVD; 640 to 660 nm
For CD; 770 to 810 nm
Power class Class 2 (IEC)

[D/A Conversion Section]

D/A conversion 24 Bit
Oversampling 8 fs (Sampling frequency; 44.1, 48 kHz)
..... 4 fs (Sampling frequency; 96 kHz)

[Audio section]

Frequency response
Sampling frequency ; 44.1 kHz 4 Hz ~ 20 kHz
Sampling frequency ; 48 kHz 4 Hz ~ 22 kHz
Sampling frequency ; 96 kHz 4 Hz ~ 38 kHz
Signal to noise ratio More than 98 dB
Dynamic range More than 92 dB
Total harmonic distortion Less than 0.005 % (1 kHz)
Channel separation More than 95 dB (1 kHz)
Wow and flutter Below measurable limit
Analog output level/impedance 2 V / 570 Ω
Digital output level/impedance
COAXIAL 0.5 Vp-p / 75 Ω
OPTICAL -21 dBm ~ -15 dBm (Wave length 660 nm)

[Video Section]

Video output format NTSC/PAL
Video compression
DVD MPEG-2
Composite video output level
..... 1 Vp-p (75 Ω load, sync. negative)
S-video output level
(Y-signal) 1 Vp-p (75 Ω load, sync. negative)
(C-signal)
NTSC 0.286 Vp-p (75 Ω)
PAL 0.300 Vp-p (75 Ω)
Component Video output level (For U.S. Military)
(Y-signal) 1 Vp-p (75 Ω)
(Cb-signal) 0.648 Vp-p (75 Ω)
(Cr-signal) 0.648 Vp-p (75 Ω)
RGB output level (SCART) (For Europe) 0.7 Vp-p (75 Ω)
Horizontal resolution More than 480 lines
Video signal to noise ratio More than 70 dB

[General]

Power consumption 12 W
Dimensions
W : 440 mm (17-5/16")
H : 75 mm (2-15/16")
D : 282 mm (11-1/8")
Weight (net) 3.1 kg (6.8 lb)



KENWOOD follows a policy of continuous advancements in development. For this reason specifications may be changed without notice.

- Sufficient performance may not be exhibited at extremely cold locations (Where water freezes).